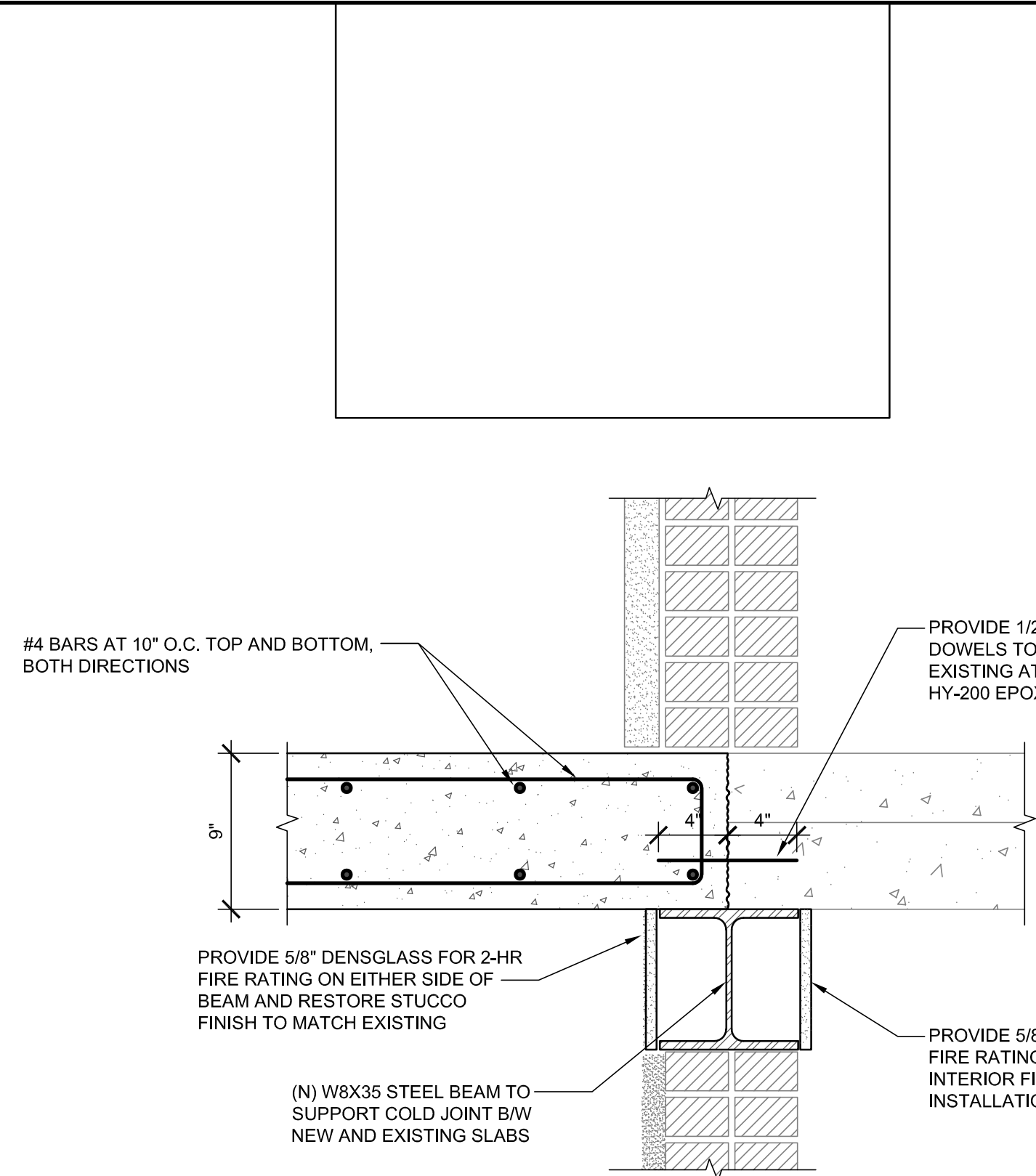
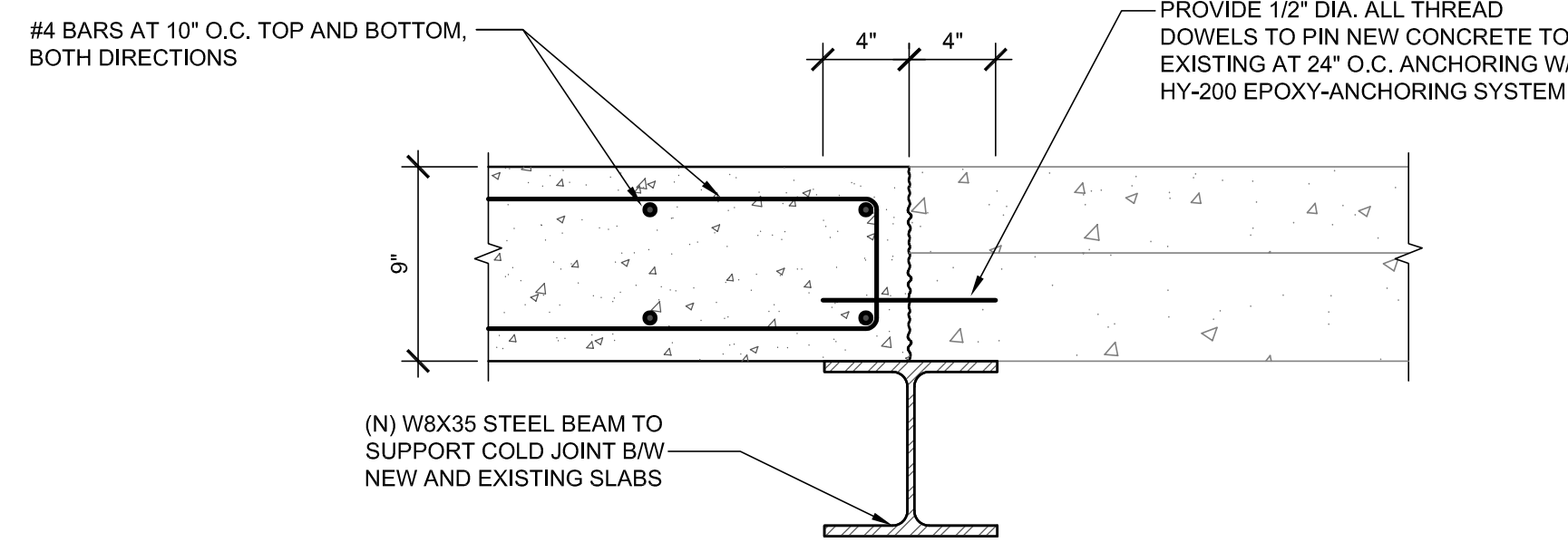


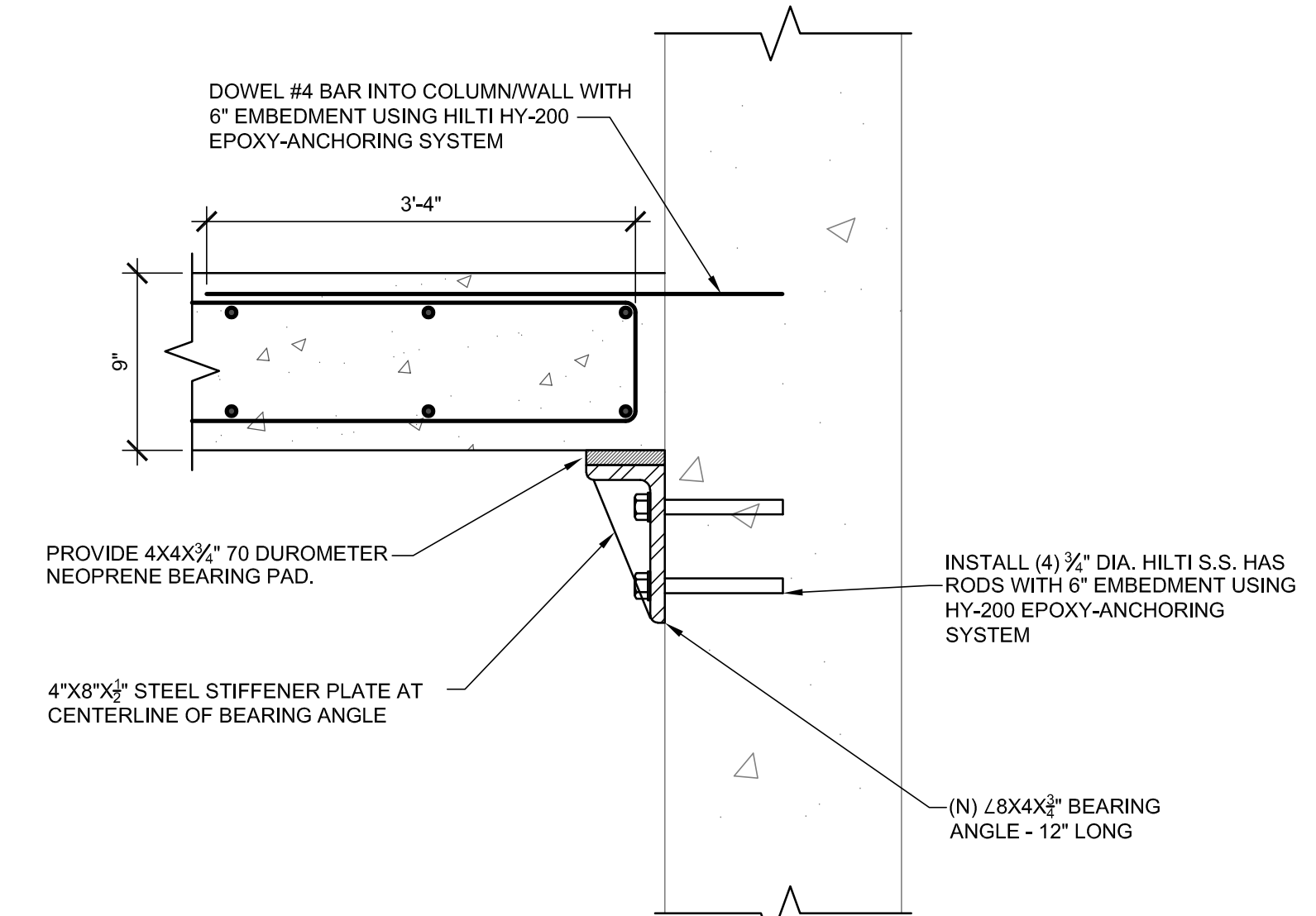
NEW WORK SECTION AT PARAPET 1
SCALE: 1-1/2" = 1'-0"
S-602



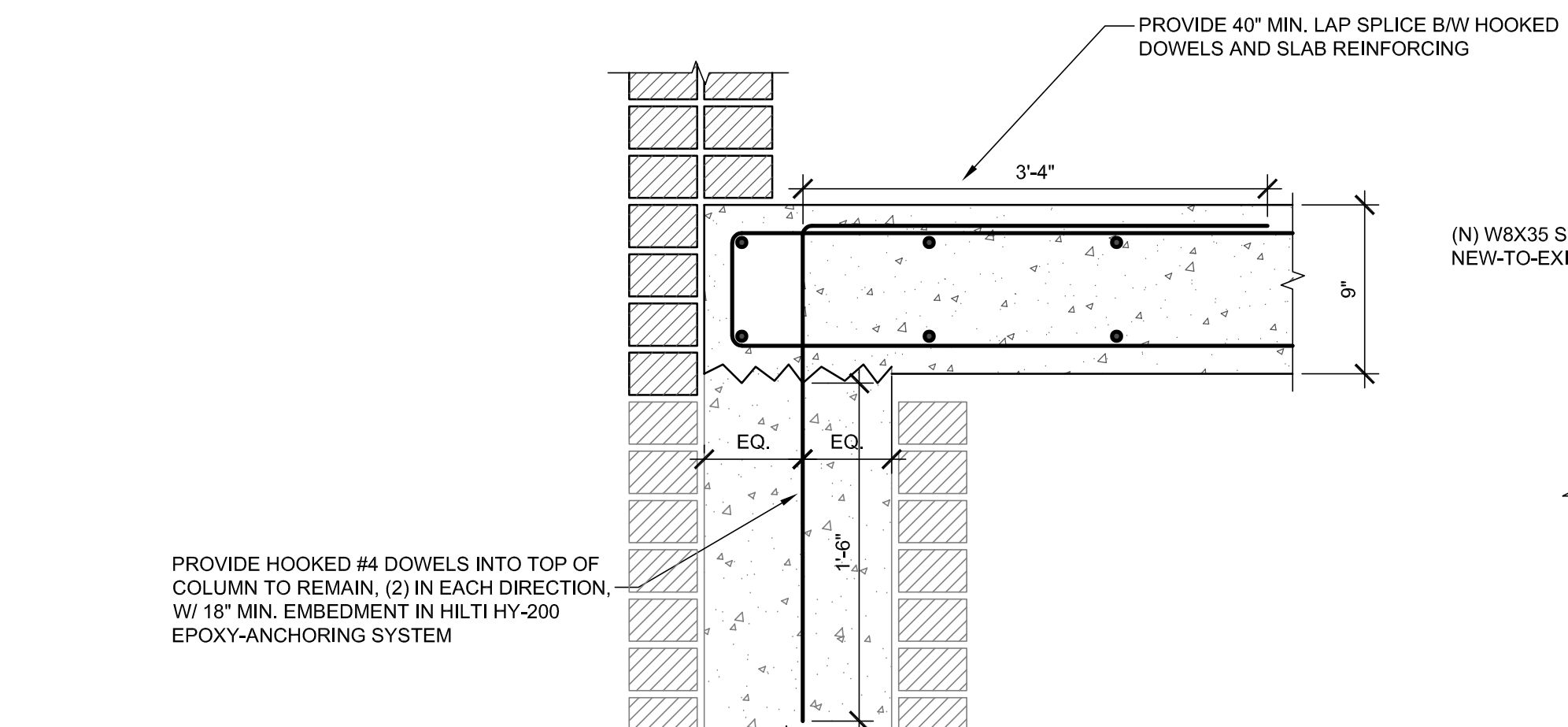
NEW WORK SECTION AT BUILDING 2
SCALE: 1-1/2" = 1'-0"
S-602



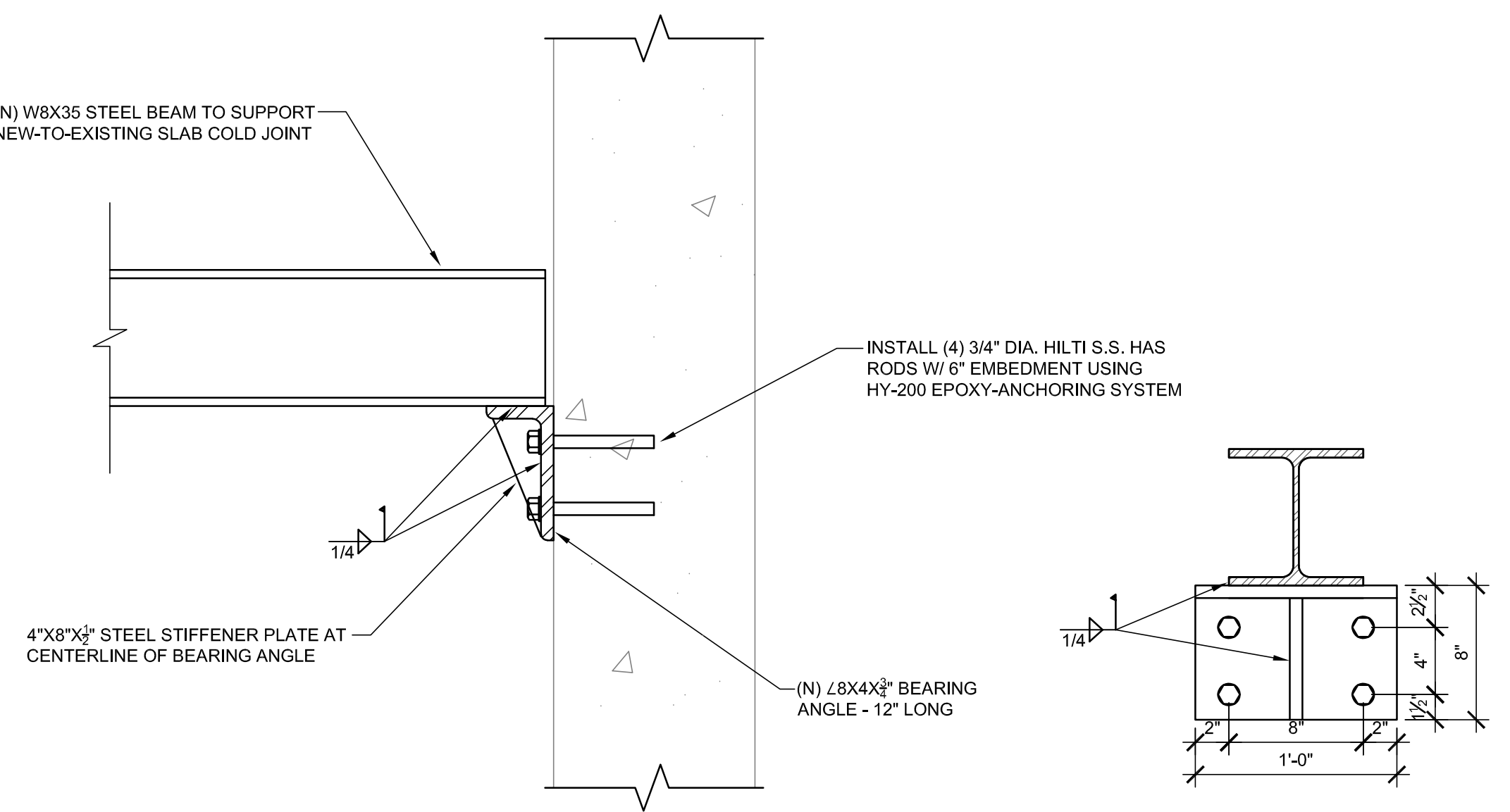
NEW WORK SECTION AT ENTRANCE 3
SCALE: 1-1/2" = 1'-0"
S-602



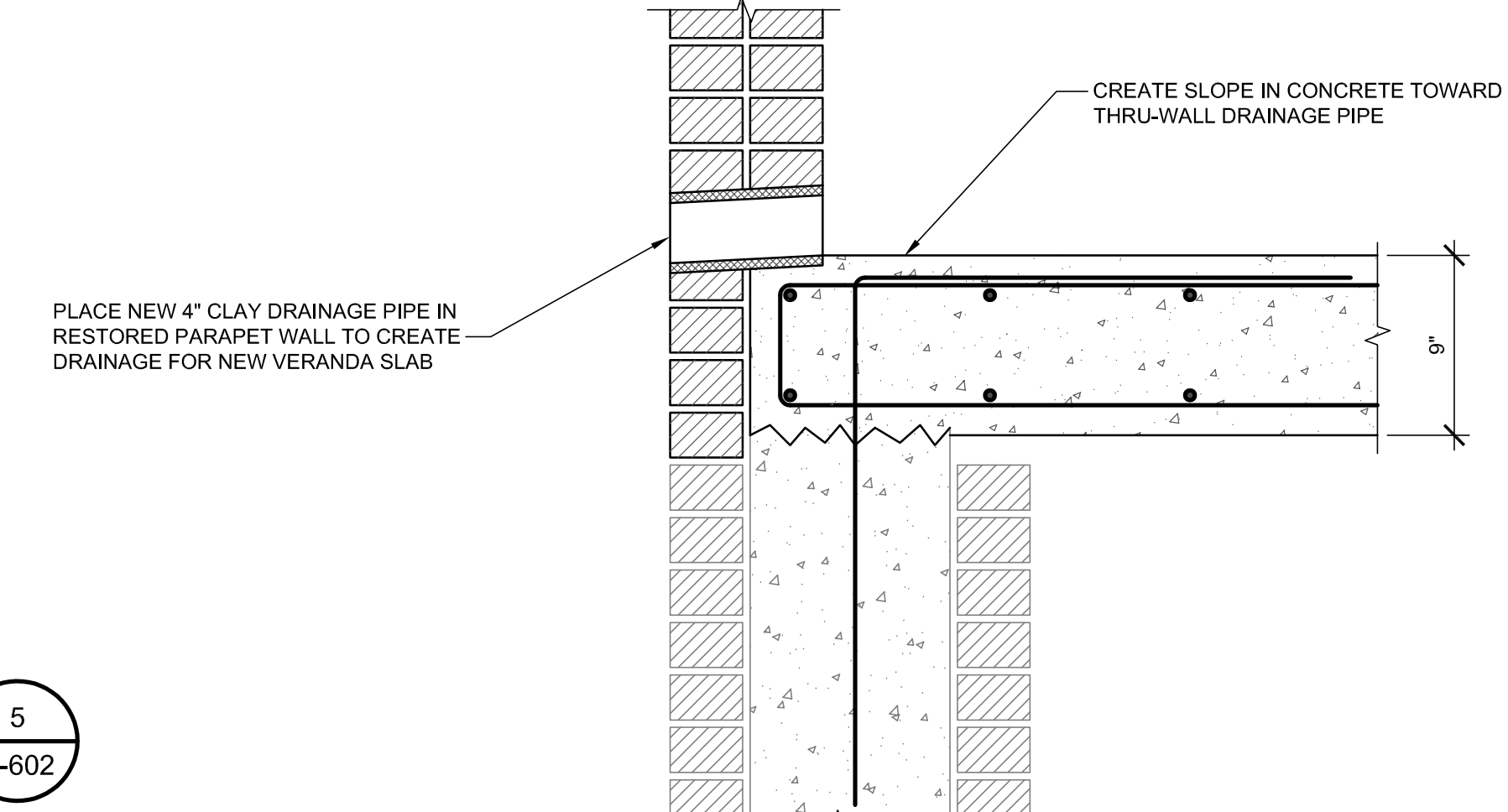
SLAB EDGE SUPPORT AT COLUMN 6
SCALE: 1-1/2" = 1'-0"
S-602



NEW WORK SECTION AT COLUMN 4
SCALE: 1-1/2" = 1'-0"
S-602



NEW SUPPORT BRACKET AT COLUMN 5
SCALE: 1-1/2" = 1'-0"
S-602



PARAPET THRU-WALL DRAIN PIPE 7
SCALE: 1-1/2" = 1'-0"
S-602

OWNER:

TOWN OF KENSINGTON, MD
3710 MITCHELL STREET
KENSINGTON, MD 20885

CONSULTANT:
SK&A MD
Smislova, Kehnemui & Associates, PA
12435 Park Potomac Avenue, Suite 300 • Potomac, MD 20854
P 301.881.1441 F 301.881.8664 W skaingineers.com

**KENSINGTON TOWN HALL
STRUCTURAL REPAIRS
KENSINGTON, MARYLAND**

REVISIONS:

SURVEY SET	12-08-2020
PRICING SET	12-15-2020
ADDENDUM NO. 1	03-29-2021

SEAL:

PROFESSIONAL CERTIFICATION: I HEREBY CERTIFY THAT THESE DOCUMENTS WERE PREPARED OR APPROVED BY ME AND THAT I AM A LICENSED PROFESSIONAL ENGINEER UNDER THE LAWS OF THE STATE OF MARYLAND, LICENSE NUMBER 0348, EXPIRES 03/31/2025.

DRAWN BY: JCP
CHECKED BY: RJP
SK&A JOB NO: 1-20619-00
DATE: 12-08-2020
SCALE: AS SHOWN

TITLE:
NEW WORK SECTIONS

S-602